

# Stainless Steel WPT/H Platform Scale

Uncomplicated operation and highly precise measurements carried out in moist environment and at direct contact with water



WPT H3  
indicator on a post



WPT H/K  
indicator connected via cable



Bellow-shape design protecting  
the load cell



PUE C/31H  
indicator with LCD display  
in stainless steel housing

## Functions



Parts  
counting



Percent  
weighing



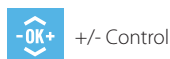
Totalizing



In-built  
battery



Replaceable  
units



+/- Control



Animal  
weighing



Peak hold

## Features

### Precise Weighing Indications in Challenging Industrial Conditions

WPT/H platform scale ensures precise and fast mass measurement in challenging industrial conditions.

### Robustness and Resistance to Ambient Conditions

Robust platform made of stainless steel and high ingress protection allow to operate the scale in moist environment and at direct contact with water (e.g. meat and fish industry, etc.).

### Versatility of Use

Various possibilities of fastening the indicator to the weighing platform enable selecting appropriate solution for different places of operation. The indicator can be mounted on a post or using cable.

### Cooperation with PUE C/31 H Indicator

The scale can be operated via uncomplicated and reliable PUE C/31 H indicator housed in a stainless steel housing.

### Uncomplicated Operation and Clear Presentation of Indications

Due to a backlit LCD display the measurement result is clearly visible. Easy operation enables fast and reliable measurements to be carried out even by an inexperienced operator.

### Uninterrupted Operation due to an Internal Battery

Integrated battery of the weighing indicator enable several hours long mobile operation.

### Ergonomics and Comfort of Operation

Models with indicator on a cable enable its installation in a place facilitating convenient operation. An additional accessory enables placing the indicator on a stand or mounting it to the wall.

### Customizable Instrument

Numerous variants of weighing pan dimensions and broad range of maximum capacities enable selecting the best weighing instrument suiting specific requirements and needs.

## Technical Specifications

	WPT 1.5/H1 WPT 1.5/H1/K	WPT 3/H1* WPT 3/H1/K*	WPT 6/H1* WPT 6/H1/K*
Maximum capacity [Max]	1.5 kg	3 kg	6 kg
Minimum capacity	10 g	20 g	40 g
Readability [d]	0.5 g	1 g	2 g
Max readability for non-verified scale	0.2 g	0.2 g	0.2 g
Verification unit [e]	0.5 g	1 g	2 g
Tare range	-1.5 kg	-3 kg	-6 kg
Verification	Yes	Yes	Yes
OIML class	III	III	III
Platform material	AISI304 stainless steel	AISI304 stainless steel	AISI304 stainless steel
Weighing pan material	AISI304 stainless steel	AISI304 stainless steel	AISI304 stainless steel
Indicator fastening	on a post on 1.5 m cable (K)	on a post on 1.5 m cable (K)	on a post on 1.5 m cable (K)
Display	LCD (with backlight)	LCD (with backlight)	LCD (with backlight)
Keyboard	5 keys	5 keys	5 keys
Indicator	PUE C/31H	PUE C/31H	PUE C/31H
Ingress protection - design	IP 67	IP 67	IP 67
Ingress protection - indicator	IP 68/69	IP 68/69	IP 68/69
RS 232	1	1	1
Power supply	100 ÷ 240 V AC 50 ÷ 60 Hz / 12 V DC + battery	100 ÷ 240 V AC 50 ÷ 60 Hz / 12 V DC + battery	100 ÷ 240 V AC 50 ÷ 60 Hz / 12 V DC + battery
Battery operation time	45 hours	45 hours	45 hours
Power consumption	6 W	6 W	6 W
Operating temperature	-10 ÷ +40 °C	-10 ÷ +40 °C	-10 ÷ +40 °C
Relative humidity**	10 ÷ 85%	10 ÷ 85%	10 ÷ 85%
Transport and storage temperature	-10 ÷ +50 °C	-10 ÷ +50 °C	-10 ÷ +50 °C
Weighing pan dimensions	200 × 150 mm	200 × 150 mm	200 × 150 mm
Indicator dimensions	226 × 250 × 120 mm	226 × 250 × 120 mm	226 × 250 × 120 mm
Overall dimensions	372 × 170 × 450 mm	372 × 170 × 450 mm	372 × 170 × 450 mm
Net weight	7 kg 6.7 kg (K)	7 kg 6.7 kg (K)	7 kg 6.7 kg (K)
Gross weight	8 kg 7.7 kg (K)	8 kg 7.7 kg (K)	8 kg 7.7 kg (K)
Packaging dimensions	510 × 250 × 290 mm	510 × 250 × 290 mm	510 × 250 × 290 mm

\* option: dual range weighing instrument

\*\* non-condensing conditions

	<b>WPT 15/H1</b> <b>WPT 15/H1/K</b>	<b>WPT 3/H2</b> <b>WPT 3/H2/K</b>	<b>WPT 6/H2*</b> <b>WPT 6/H2/K*</b>
<b>Maximum capacity [Max]</b>	15 kg	3 kg	6 kg
<b>Minimum capacity</b>	100 g	20 g	40 g
<b>Readability [d]</b>	5 g	1 g	2 g
<b>Max readability for non-verified scale</b>	0.2 g	0.2 g	0.2 g
<b>Verification unit [e]</b>	5 g	1 g	2 g
<b>Tare range</b>	-15 kg	-3 kg	-6 kg
<b>Verification</b>	Yes	Yes	Yes
<b>OIML class</b>	III	III	III
<b>Platform material</b>	AISI304 stainless steel	AISI304 stainless steel	AISI304 stainless steel
<b>Weighing pan material</b>	AISI304 stainless steel	AISI304 stainless steel	AISI304 stainless steel
<b>Indicator fastening</b>	on a post on 2.5 m cable (K)	on a post on 2.5 m cable (K)	on a post on 2.5 m cable (K)
<b>Display</b>	LCD (with backlight)	LCD (with backlight)	LCD (with backlight)
<b>Keyboard</b>	5 keys	5 keys	5 keys
<b>Indicator</b>	PUE C/31H	PUE C/31H	PUE C/31H
<b>Ingress protection - design</b>	IP 67	IP 67	IP 67
<b>Ingress protection - indicator</b>	IP 68/69	IP 68/69	IP 68/69
<b>RS 232</b>	1	1	1
<b>Power supply</b>	100 ÷ 240 V AC 50 ÷ 60 Hz / 12 V DC + battery	100 ÷ 240 V AC 50 ÷ 60 Hz / 12 V DC + battery	100 ÷ 240 V AC 50 ÷ 60 Hz / 12 V DC + battery
<b>Battery operation time</b>	45 hours	45 hours	45 hours
<b>Power consumption</b>	6 W	6 W	6 W
<b>Operating temperature</b>	-10 ÷ +40 °C	-10 ÷ +40 °C	-10 ÷ +40 °C
<b>Relative humidity**</b>	10 ÷ 85%	10 ÷ 85%	10 ÷ 85%
<b>Transport and storage temperature</b>	-10 ÷ +50 °C	-10 ÷ +50 °C	-10 ÷ +50 °C
<b>Weighing pan dimensions</b>	200 × 150 mm	250 × 300 mm	250 × 300 mm
<b>Indicator dimensions</b>	226 × 250 × 120 mm	226 × 250 × 120 mm	226 × 250 × 120 mm
<b>Overall dimensions</b>	372 × 170 × 450 mm	485 × 246 × 535 mm	485 × 246 × 535 mm
<b>Net weight</b>	7 kg 6.7 kg (K)	9.3 kg 9.3 kg(K)	9.3 kg 9.3 kg(K)
<b>Gross weight</b>	8 kg 7.7 kg (K)	11 kg 11 kg (K)	11 kg 11 kg (K)
<b>Packaging dimensions</b>	510 × 250 × 290 mm	580 × 320 × 360 mm	580 × 320 × 360 mm

\* option: dual range weighing instrument

\*\* non-condensing conditions

	WPT 15/H2* WPT 15/H2/K*	WPT 30/H2* WPT 30/H2/K*	WPT 6/H3 WPT 6/H3/K
Maximum capacity [Max]	15 kg	30 kg	6 kg
Minimum capacity	100 g	200 g	40 g
Readability [d]	5 g	10 g	2 g
Max readability for non-verified scale	1 g	1 g	0.5 g
Verification unit [e]	5 g	10 g	2 g
Tare range	-15 kg	-30 kg	-6 kg
Verification	Yes	Yes	Yes
OIML class	III	III	III
Platform material	AISI304 stainless steel	AISI304 stainless steel	AISI304 stainless steel
Weighing pan material	AISI304 stainless steel	AISI304 stainless steel	AISI304 stainless steel
Indicator fastening	on a post on 2.5 m cable (K)	on a post on 2.5 m cable (K)	on a post on 2.5 m cable (K)
Display	LCD (with backlight)	LCD (with backlight)	LCD (with backlight)
Keyboard	5 keys	5 keys	5 keys
Indicator	PUE C/31H	PUE C/31H	PUE C/31H
Ingress protection - design	IP 67	IP 67	IP 67
Ingress protection - indicator	IP 68/69	IP 68/69	IP 68/69
RS 232	1	1	1
Power supply	100 ÷ 240 V AC 50 ÷ 60 Hz / 12 V DC + battery	100 ÷ 240 V AC 50 ÷ 60 Hz / 12 V DC + battery	100 ÷ 240 V AC 50 ÷ 60 Hz / 12 V DC + battery
Battery operation time	45 hours	45 hours	45 hours
Power consumption	6 W	6 W	6 W
Operating temperature	-10 ÷ +40 °C	-10 ÷ +40 °C	-10 ÷ +40 °C
Relative humidity**	10 ÷ 85%	10 ÷ 85%	10 ÷ 85%
Transport and storage temperature	-10 ÷ +50 °C	-10 ÷ +50 °C	-10 ÷ +50 °C
Weighing pan dimensions	250 × 300 mm	250 × 300 mm	410 × 410 mm
Indicator dimensions	226 × 250 × 120 mm	226 × 250 × 120 mm	226 × 250 × 120 mm
Overall dimensions	485 × 246 × 535 mm	485 × 246 × 535 mm	613 × 411 × 617 mm
Net weight	9.3 kg 9.3 kg(K)	9.3 kg 9.3 kg(K)	11.5 kg 11.3 kg (K)
Gross weight	11 kg 11 kg (K)	11 kg 11 kg (K)	14.2 kg 14 kg (K)
Packaging dimensions	580 × 320 × 360 mm	580 × 320 × 360 mm	670 × 510 × 330 mm

\* option: dual range weighing instrument

\*\* non-condensing conditions

	<b>WPT 15/H3*</b> <b>WPT 15/H3/K*</b>	<b>WPT 30/H3*</b> <b>WPT 30/H3/K*</b>	<b>WPT 60/H3*</b> <b>WPT 60/H3/K*</b>
<b>Maximum capacity [Max]</b>	15 kg	30 kg	60 kg
<b>Minimum capacity</b>	100 g	200 g	400 g
<b>Readability [d]</b>	5 g	10 g	20 g
<b>Max readability for non-verified scale</b>	1 g	1 g	2 g
<b>Verification unit [e]</b>	5 g	10 g	20 g
<b>Tare range</b>	-15 kg	-30 kg	-60 kg
<b>Verification</b>	Yes	Yes	Yes
<b>OIML class</b>	III	III	III
<b>Platform material</b>	AISI304 stainless steel	AISI304 stainless steel	AISI304 stainless steel
<b>Weighing pan material</b>	AISI304 stainless steel	AISI304 stainless steel	AISI304 stainless steel
<b>Indicator fastening</b>	on a post on 2.5 m cable (K)	on a post on 2.5 m cable (K)	on a post on 2.5 m cable (K)
<b>Display</b>	LCD (with backlight)	LCD (with backlight)	LCD (with backlight)
<b>Keyboard</b>	5 keys	5 keys	5 keys
<b>Indicator</b>	PUE C/31H	PUE C/31H	PUE C/31H
<b>Ingress protection - design</b>	IP 67	IP 67	IP 67
<b>Ingress protection - indicator</b>	IP 68/69	IP 68/69	IP 68/69
<b>RS 232</b>	1	1	1
<b>Power supply</b>	100 ÷ 240 V AC 50 ÷ 60 Hz / 12 V DC + battery	100 ÷ 240 V AC 50 ÷ 60 Hz / 12 V DC + battery	100 ÷ 240 V AC 50 ÷ 60 Hz / 12 V DC + battery
<b>Battery operation time</b>	45 hours	45 hours	45 hours
<b>Power consumption</b>	6 W	6 W	6 W
<b>Operating temperature</b>	-10 ÷ +40 °C	-10 ÷ +40 °C	-10 ÷ +40 °C
<b>Relative humidity**</b>	10 ÷ 85%	10 ÷ 85%	10 ÷ 85%
<b>Transport and storage temperature</b>	-10 ÷ +50 °C	-10 ÷ +50 °C	-10 ÷ +50 °C
<b>Weighing pan dimensions</b>	410 × 410 mm	410 × 410 mm	410 × 410 mm
<b>Indicator dimensions</b>	226 × 250 × 120 mm	226 × 250 × 120 mm	226 × 250 × 120 mm
<b>Overall dimensions</b>	613 × 411 × 617 mm	613 × 411 × 617 mm	613 × 411 × 617 mm
<b>Net weight</b>	11.5 kg 11.3 kg (K)	11.5 kg 11.3 kg (K)	11.5 kg 11.3 kg (K)
<b>Gross weight</b>	14.2 kg 14 kg (K)	14.2 kg 14 kg (K)	14.2 kg 14 kg (K)
<b>Packaging dimensions</b>	670 × 510 × 330 mm	670 × 510 × 330 mm	670 × 510 × 330 mm

\* option: dual range weighing instrument

\*\* non-condensing conditions

	WPT 150/H3* WPT 150/H3/K*	WPT 15/H4 WPT 15/H4/K	WPT 30/H4* WPT 30/H4/K*
Maximum capacity [Max]	150 kg	15 kg	30 kg
Minimum capacity	1000 g	100 g	200 g
Readability [d]	50 g	5 g	10 g
Max readability for non-verified scale	5 g	0.5 g	1 g
Verification unit [e]	50 g	5 g	10 g
Tare range	-150 kg	-15 kg	-30 kg
Verification	Yes	Yes	Yes
OIML class	III	III	III
Platform material	AISI304 stainless steel	AISI304 stainless steel	AISI304 stainless steel
Weighing pan material	AISI304 stainless steel	AISI304 stainless steel	AISI304 stainless steel
Indicator fastening	on a post on 2.5 m cable (K)	on a post on 2.5 m cable (K)	on a post on 2.5 m cable (K)
Display	LCD (with backlight)	LCD (with backlight)	LCD (with backlight)
Keyboard	5 keys	5 keys	5 keys
Indicator	PUE C/31H	PUE C/31H	PUE C/31H
Ingress protection - design	IP 67	IP 67	IP 67
Ingress protection - indicator	IP 68/69	IP 68/69	IP 68/69
RS 232	1	1	1
Power supply	100 ÷ 240 V AC 50 ÷ 60 Hz / 12 V DC + battery	100 ÷ 240 V AC 50 ÷ 60 Hz / 12 V DC + battery	100 ÷ 240 V AC 50 ÷ 60 Hz / 12 V DC + battery
Battery operation time	45 hours	45 hours	45 hours
Power consumption	6 W	6 W	6 W
Operating temperature	-10 ÷ +40 °C	-10 ÷ +40 °C	-10 ÷ +40 °C
Relative humidity**	10 ÷ 85%	40 ÷ 80%	40 ÷ 80%
Transport and storage temperature	-10 ÷ +50 °C	-10 ÷ +50 °C	-10 ÷ +50 °C
Weighing pan dimensions	410 × 410 mm	500 × 500 mm	500 × 500 mm
Indicator dimensions	226 × 250 × 120 mm	226 × 250 × 120 mm	226 × 250 × 120 mm
Overall dimensions	613 × 411 × 617 mm	718 × 500 × 790 mm	718 × 500 × 790 mm
Net weight	15.5 kg 15.5 kg (K)	20.1 kg 19.4 kg (K)	20.1 kg 19.4 kg (K)
Gross weight	17.3 kg 17.3 kg (K)	23.9 kg 22.9 kg (K)	23.9 kg 22.9 kg (K)
Packaging dimensions	670 × 510 × 330 mm	840 × 600 × 400 mm	840 × 600 × 400 mm

\* option: dual range weighing instrument

\*\* non-condensing conditions

	WPT 60/H4* WPT 60/H4/K*	WPT 150/H4* WPT 150/H4/K*	WPT 15/H3/5 WPT 15/H3/5/K
Maximum capacity [Max]	60 kg	150 kg	60 kg
Minimum capacity	400 g	1000 g	100 g
Readability [d]	20 g	50 g	5 g
Max readability for non-verified scale	2 g	5 g	0.5 g
Verification unit [e]	20 g	50 g	5 g
Tare range	-60 kg	-150 kg	-15 kg
Verification	Yes	Yes	Yes
OIML class	III	III	III
Platform material	AISI304 stainless steel	AISI304 stainless steel	AISI304 stainless steel
Weighing pan material	AISI304 stainless steel	AISI304 stainless steel	AISI304 stainless steel
Indicator fastening	on a post on 2.5 m cable (K)	on a post on 2.5 m cable (K)	on a post on 2.5 m cable (K)
Display	LCD (with backlight)	LCD (with backlight)	LCD (with backlight)
Keyboard	5 keys	5 keys	5 keys
Indicator	PUE C/31H	PUE C/31H	PUE C/31H
Ingress protection - design	IP 67	IP 67	IP 67
Ingress protection - indicator	IP 68/69	IP 68/69	IP 68/69
RS 232	1	1	1
Power supply	100 ÷ 240 V AC 50 ÷ 60 Hz / 12 V DC + battery	100 ÷ 240 V AC 50 ÷ 60 Hz / 12 V DC + battery	100 ÷ 240 V AC 50 ÷ 60 Hz / 12 V DC + battery
Battery operation time	45 hours	45 hours	45 hours
Power consumption	6 W	6 W	6 W
Operating temperature	-10 ÷ +40 °C	-10 ÷ +40 °C	-10 ÷ +40 °C
Relative humidity**	10 ÷ 85%	40 ÷ 80%	40 ÷ 80%
Transport and storage temperature	-10 ÷ +50 °C	-10 ÷ +50 °C	-10 ÷ +50 °C
Weighing pan dimensions	500 × 500 mm	500 × 500 mm	400 × 600 mm
Indicator dimensions	226 × 250 × 120 mm	226 × 250 × 120 mm	226 × 250 × 120 mm
Overall dimensions	718 × 500 × 790 mm	718 × 500 × 790 mm	610 × 600 × 796 mm
Net weight	20.1 kg 19.4 kg (K)	20.1 kg 19.4 kg (K)	21.8 kg 21.1 kg (K)
Gross weight	23.9 kg 22.9 kg (K)	23.9 kg 22.9 kg (K)	25.6 kg 24.6 kg (K)
Packaging dimensions	840 × 600 × 400 mm	840 × 600 × 400 mm	670 × 510 × 330 mm

\* option: dual range weighing instrument

\*\* non-condensing conditions

	WPT 30/H3/5* WPT 30/H3/5/K*	WPT 60/3/H5* WPT 60/3/H5/K*	WPT 150/H3/5* WPT 150/H3/5/K*
Maximum capacity [Max]	30 kg	60 kg	150 kg
Minimum capacity	200 g	400 g	1000 g
Readability [d]	10 g	20 g	50 g
Max readability for non-verified scale	1 g	2 g	5 g
Verification unit [e]	10 g	20 g	50 g
Tare range	-30 kg	-60 kg	-150 kg
Verification	Yes	Yes	Yes
OIML class	III	III	III
Platform material	AISI304 stainless steel	AISI304 stainless steel	AISI304 stainless steel
Weighing pan material	AISI304 stainless steel	AISI304 stainless steel	AISI304 stainless steel
Indicator fastening	on a post on 2.5 m cable (K)	on a post on 2.5 m cable (K)	on a post on 2.5 m cable (K)
Display	LCD (with backlight)	LCD (with backlight)	LCD (with backlight)
Keyboard	5 keys	5 keys	5 keys
Indicator	PUE C/31H	PUE C/31H	PUE C/31H
Ingress protection - design	IP 67	IP 67	IP 67
Ingress protection - indicator	IP 68/69	IP 68/69	IP 68/69
RS 232	1	1	1
Power supply	100 ÷ 240 V AC 50 ÷ 60 Hz / 12 V DC + battery	100 ÷ 240 V AC 50 ÷ 60 Hz / 12 V DC + battery	100 ÷ 240 V AC 50 ÷ 60 Hz / 12 V DC + battery
Battery operation time	45 hours	45 hours	45 hours
Power consumption	6 W	6 W	6 W
Operating temperature	-10 ÷ +40 °C	-10 ÷ +40 °C	-10 ÷ +40 °C
Relative humidity**	10 ÷ 85%	40 ÷ 80%	40 ÷ 80%
Transport and storage temperature	-10 ÷ +50 °C	-10 ÷ +50 °C	-10 ÷ +50 °C
Weighing pan dimensions	400 × 600 mm	600 × 600 mm	400 × 600 mm
Indicator dimensions	226 × 250 × 120 mm	226 × 250 × 120 mm	226 × 250 × 120 mm
Overall dimensions	610 × 600 × 796 mm	818 × 600 × 790 mm	610 × 600 × 796 mm
Net weight	21.8 kg 21.1 kg (K)	23.2 kg 22.5 kg (K)	21.8 kg 21.1 kg (K)
Gross weight	25.6 kg 24.6 kg (K)	27.5 kg 26.5 kg (K)	25.6 kg 24.6 kg (K)
Packaging dimensions	670 × 510 × 330 mm	840 × 700 × 400 mm	670 × 510 × 330 mm

\* option: dual range weighing instrument

\*\* non-condensing conditions



	<b>WPT 15/H5</b> <b>WPT 15/H5/K</b>	<b>WPT 30/H5*</b> <b>WPT 30/H5/K*</b>	<b>WPT 60/H5*</b> <b>WPT 60/H5/K*</b>
<b>Maximum capacity [Max]</b>	15 kg	30 kg	60 kg
<b>Minimum capacity</b>	100 g	200 g	400 g
<b>Readability [d]</b>	5 g	10 g	20 g
<b>Max readability for non-verified scale</b>	1 g	1 g	2 g
<b>Verification unit [e]</b>	5 g	10 g	20 g
<b>Tare range</b>	-15 kg	-30 kg	-60 kg
<b>Verification</b>	Yes	Yes	Yes
<b>OIML class</b>	III	III	III
<b>Platform material</b>	AISI304 stainless steel	AISI304 stainless steel	AISI304 stainless steel
<b>Weighing pan material</b>	AISI304 stainless steel	AISI304 stainless steel	AISI304 stainless steel
<b>Indicator fastening</b>	on a post on 2.5 m cable (K)	on a post on 2.5 m cable (K)	on a post on 2.5 m cable (K)
<b>Display</b>	LCD (with backlight)	LCD (with backlight)	LCD (with backlight)
<b>Keyboard</b>	5 keys	5 keys	5 keys
<b>Indicator</b>	PUE C/31H	PUE C/31H	PUE C/31H
<b>Ingress protection - design</b>	IP 67	IP 67	IP 67
<b>Ingress protection - indicator</b>	IP 68/69	IP 68/69	IP 68/69
<b>RS 232</b>	1	1	1
<b>Power supply</b>	100 ÷ 240 V AC 50 ÷ 60 Hz / 12 V DC + battery	100 ÷ 240 V AC 50 ÷ 60 Hz / 12 V DC + battery	100 ÷ 240 V AC 50 ÷ 60 Hz / 12 V DC + battery
<b>Battery operation time</b>	45 hours	45 hours	45 hours
<b>Power consumption</b>	6 W	6 W	6 W
<b>Operating temperature</b>	-10 ÷ +40 °C	-10 ÷ +40 °C	-10 ÷ +40 °C
<b>Relative humidity**</b>	10 ÷ 85%	40 ÷ 80%	40 ÷ 80%
<b>Transport and storage temperature</b>	-10 ÷ +50 °C	-10 ÷ +50 °C	-10 ÷ +50 °C
<b>Weighing pan dimensions</b>	600 × 600 mm	600 × 600 mm	600 × 600 mm
<b>Indicator dimensions</b>	226 × 250 × 120 mm	226 × 250 × 120 mm	226 × 250 × 120 mm
<b>Overall dimensions</b>	818 × 600 × 790 mm	818 × 600 × 790 mm	818 × 600 × 790 mm
<b>Net weight</b>	23.2 kg 22.5 kg (K)	23.2 kg 22.5 kg (K)	23.2 kg 22.5 kg (K)
<b>Gross weight</b>	27.5 kg 26.5 kg (K)	27.5 kg 26.5 kg (K)	27.5 kg 26.5 kg (K)
<b>Packaging dimensions</b>	840 × 700 × 400 mm	840 × 700 × 400 mm	840 × 700 × 400 mm

\* option: dual range weighing instrument

\*\* non-condensing conditions

	WPT 150/H5* WPT 150/H5/K*	WPT 60/H6 WPT 60/H6/K	WPT 150/H6* WPT 150/H6/K*
<b>Maximum capacity [Max]</b>	150 kg	60 kg	150 kg
<b>Minimum capacity</b>	1000 g	400 g	1000 g
<b>Readability [d]</b>	50 g	20 g	50 g
<b>Max readability for non-verified scale</b>	5 g	2 g	20 g
<b>Verification unit [e]</b>	50 g	20 g	50 g
<b>Tare range</b>	-150 kg	-60 kg	-150 kg
<b>Verification</b>	Yes	Yes	Yes
<b>OIML class</b>	III	III	III
<b>Platform material</b>	AISI304 stainless steel	AISI304 stainless steel	AISI304 stainless steel
<b>Weighing pan material</b>	AISI304 stainless steel	AISI304 stainless steel	AISI304 stainless steel
<b>Indicator fastening</b>	on a post on 2.5 m cable (K)	on a post on 2.5 m cable (K)	on a post on 2.5 m cable (K)
<b>Display</b>	LCD (with backlight)	LCD (with backlight)	LCD (with backlight)
<b>Keyboard</b>	5 keys	5 keys	5 keys
<b>Indicator</b>	PUE C/31H	PUE C/31H	PUE C/31H
<b>Ingress protection - design</b>	IP 67	IP 67	IP 67
<b>Ingress protection - indicator</b>	IP 68/69	IP 68/69	IP 68/69
<b>RS 232</b>	1	1	1
<b>Power supply</b>	100 ÷ 240 V AC 50 ÷ 60 Hz / 12 V DC + battery	100 ÷ 240 V AC 50 ÷ 60 Hz / 12 V DC + battery	100 ÷ 240 V AC 50 ÷ 60 Hz / 12 V DC + battery
<b>Battery operation time</b>	45 hours	45 hours	45 hours
<b>Power consumption</b>	6 W	6 W	6 W
<b>Operating temperature</b>	-10 ÷ +40 °C	-10 ÷ +40 °C	-10 ÷ +40 °C
<b>Relative humidity**</b>	10 ÷ 85%	40 ÷ 80%	40 ÷ 80%
<b>Transport and storage temperature</b>	-10 ÷ +50 °C	-10 ÷ +50 °C	-10 ÷ +50 °C
<b>Weighing pan dimensions</b>	600 × 600 mm	800 × 800 mm	800 × 800 mm
<b>Indicator dimensions</b>	226 × 250 × 120 mm	226 × 250 × 120 mm	226 × 250 × 120 mm
<b>Overall dimensions</b>	818 × 600 × 790 mm	1050 × 800 × 1100 mm	1050 × 800 × 1100 mm
<b>Net weight</b>	23.2 kg 22.5 kg (K)	45.1 kg 43.5 kg (K)	45.1 kg 43.5 kg (K)
<b>Gross weight</b>	27.5 kg 26.5 kg (K)	50.9 kg 46.2 kg (K)	50.9 kg 46.2 kg (K)
<b>Packaging dimensions</b>	840 × 700 × 400 mm	1250 × 820 × 270 mm	1250 × 820 × 270 mm

\* option: dual range weighing instrument

\*\* non-condensing conditions

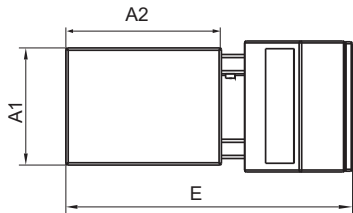
**WPT 300/H6\***  
**WPT 300/H6/K\***

Maximum capacity [Max]	300 kg
Minimum capacity	2000 g
Readability [d]	100 g
Max readability for non-verified scale	10 g
Verification unit [e]	100 g
Tare range	-300 kg
Verification	Yes
OIML class	III
Platform material	AISI304 stainless steel
Weighing pan material	AISI304 stainless steel
Indicator fastening	on a post on 2.5 m cable (K)
Display	LCD (with backlight)
Keyboard	5 keys
Indicator	PUE C/31H
Ingress protection - design	IP 67
Ingress protection - indicator	IP 68/69
RS 232	1
Power supply	100 ÷ 240 V AC 50 ÷ 60 Hz / 12 V DC + battery
Battery operation time	45 hours
Power consumption	6 W
Operating temperature	-10 ÷ +40 °C
Relative humidity**	10 ÷ 85 %
Transport and storage temperature	-10 ÷ +50 °C
Weighing pan dimensions	800 × 800 mm
Indicator dimensions	226 × 250 × 120 mm
Overall dimensions	1050 × 800 × 1100 mm
Net weight	45.1 kg 43.5 kg (K)
Gross weight	50.9 kg 46.2 kg (K)
Packaging dimensions	1250 × 820 × 270 mm

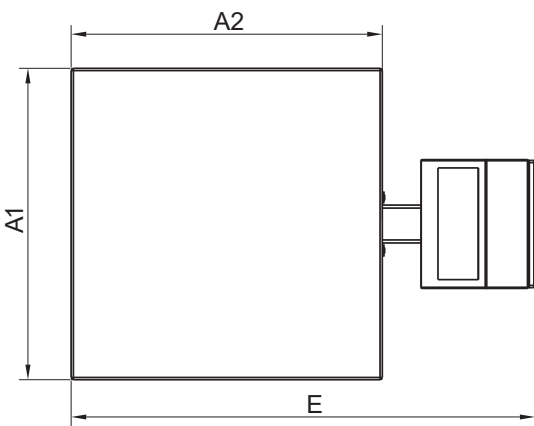
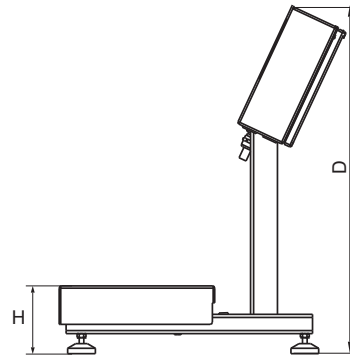
\* option: dual range weighing instrument

\*\* non-condensing conditions

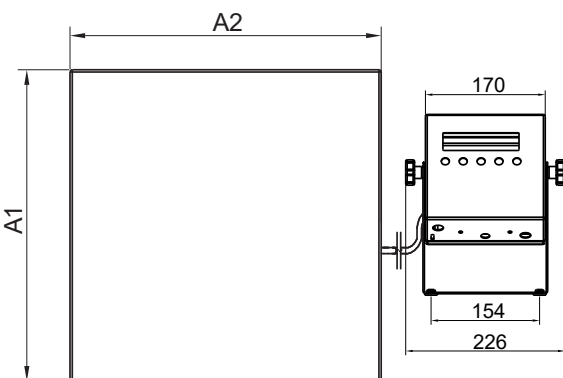
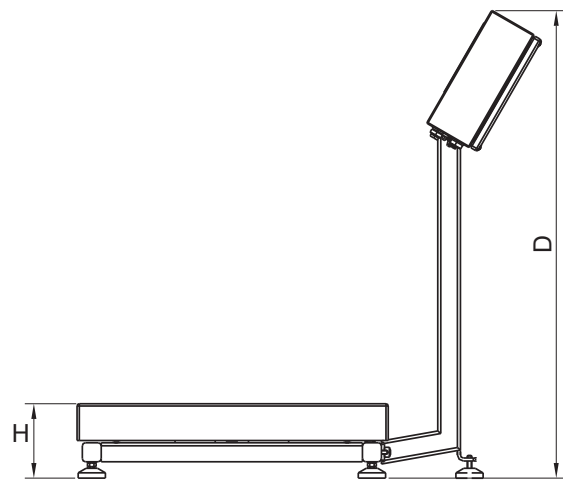
## Dimensions



WPT3 H1



WPT H2 - H6



WPT H1/K - H6/K

Scale type	A1	A2	H	D	E
WPT H1	202	152	103 ±3	450	372
WPT H1/K	202	152	103 ±3	–	–
WPT H2	246	306	103 ±3	535	485
WPT H2/K	246	306	103 ±3	–	–
WPT H3	411	411	98 ±2	617	613
WPT H3/K	411	411	98 ±2	–	–
WPT H4	500	500	155 ±5	790	718
WPT H4/K	500	500	155 ±5	–	–
WPT H5	600	600	155 ±5	790	818
WPT H5/K	600	600	155 ±5	–	–
WPT H6	800	800	135 ±5	1100	1050
WPT H6/K	800	800	135 ±5	–	–

dimensions in mm

## Accessories

---

### Peripheral Devices

- Epson dot matrix printer
- LCD – WD-4/3 display (backlit)
- WWG-2/3 large-size display

### Cables, Converters

- RS 232 – PT0259 cable (scale - indicator)
- RS 232 – PT0326 cable (indicator– indicator)
- RS-232 – P0151 Epson printer cable
- RS232 – KR-04-2 converter

- RS232 – KR-04-3 converter
- AP2-3 current loop unit (in stainless steel housing)
- external power supply - K0046D (for PUE C/31H/Z)
- K0047 – cigarette lighter cable

### Remaining Accessories

- stands for indicators
- covers for weighing platforms with roller conveyors
- weighing Tables

## Dedicated Software

---

### R-LAB

- collecting measurements
- carrying out statistical analysis of measurements
- customized graphs and reports

### LabView Driver

- operation of RADWAG balances in LabView environment

### Scale editor

- Software designed to enable change of parameters in the PUEC/31 indicator.

### Radwag Development Studio

- presentation of functions (and subfunctions) of communication protocol (Common Communication Protocol)
- possibility of connection with weighing equipment on which each function is carried out,
- library with mass control, contained within the development environment
- complete documentation of the communication protocol
- set of user manuals for different solutions addressed for programmers employed in companies using RADWAG-manufactured weighing equipment

### RADWAG Connect

- establishing communication with all balances, scales and weighing modules using Common Communication Protocol
- communication via local network,
- support of basic functions
- auto searching for devices
- connecting with few devices simultaneously, swapping between them
- clear list of connected platforms
- record of measurements in the program,
- export of carried out measurements to CSV file,
- work performed using freely selected device with Windows 10 operating system

### RAD KEY

- Establishing cooperation between a weighing instrument and a computer

### R.Barcode

- The basic function software is presentation of the data sent by barcode scanners connected to PC via USB or RS232

## Additional Equipment

---

### Weighing Tables

- granite anti-vibration table
- anti-vibration tables for industrial scales

### Peripheral Devices

- Epson dot matrix printer
- dust-free cabinet for Epson printers
- LCD – WD-4/3 display (backlit)
- WWG-2 large-size display

### Cables, Converters

- RS-232 – P0108 computer cable
- RS-232 – P0151 Epson printer cable
- RS232 – KR-04-1 converter
- RS232/RS485 – KR-01 converter
- AP2-1 current loop unit

### Remaining Accessories

- stands for indicators
- covers for weighing platforms with roller conveyors